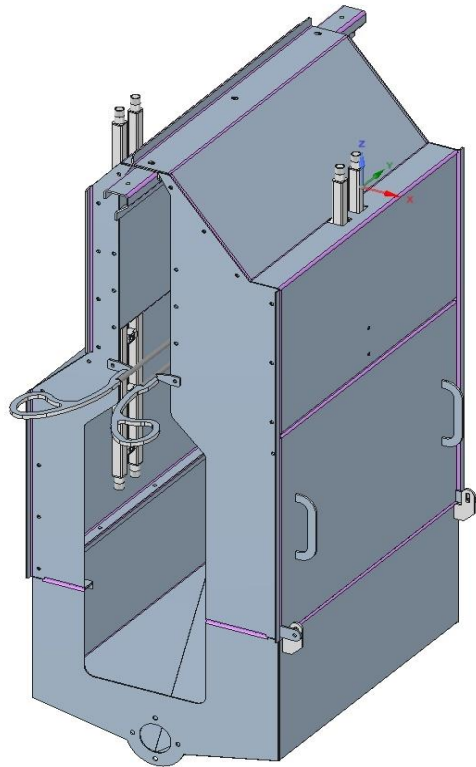




UNDINE® HD washing cabinet behind Eviscerator for outside cleaning (chicken) PL016



HIGHLIGHT FEATURES

- Excellent hygienic performance
- 50% saving on water
- Designed with enough space to run with Organ shackles
- Capacity up to 15.000 bph

TECHNICAL DATA

Article No.: HD.750.BHEV.2x4.XL

Undine stainless steel cabinet 750 x 660 x 1650 (l x w x h)

2 x Undine Manifold-4

2 x 2 non-return valves ½"

2 x 2 hand ball valves

2 x 1000 mm high pressure water hose incl. swivels ½"

2 x 1000 mm low pressure air hose (10 bar)

1 x water/air distribution block ½"

1 x drain pipe

1 x G-rail 1000 mm

2 x shackle guide rails



Water consumption/ pressure:
± 900 – 1250 liter per hour/ 10 bar



Air consumption/ pressure:
± 200 liter per min./ 6-8 bar

+ 31 (0)527 745 932

info@iwc-international.com

www.iwc-international.com